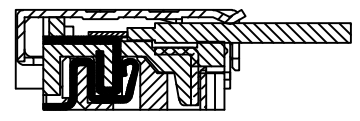
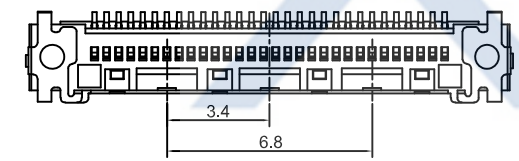
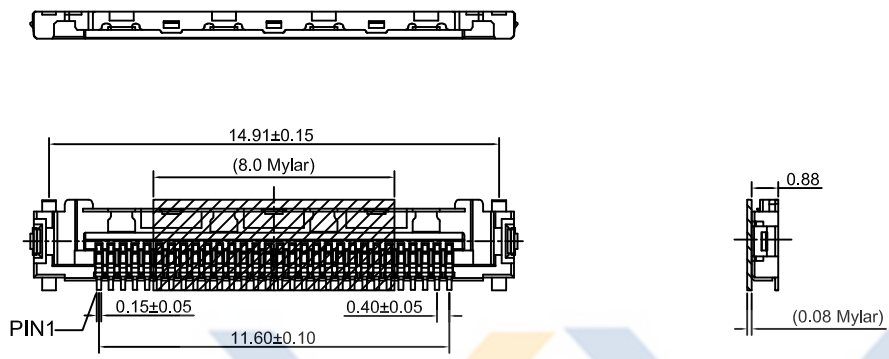


DRAWING FOR CUSTOMER



Mating Condition

- SPEC.:
- Rated Voltage:100V AC,DC
 - Rated Current:0.25A AC,DC
 - Withstand Voltage:200V AC/minute
 - Contact Resistance:100mΩ max
 - Insulation Resistance:100MΩ min
 - Temperature Range:-40℃~+85℃

- Material:
- Insulator:LCP UL94V-0,Black
 - Contact Pin: Copper alloy
Finish:Gold-plated,over Nickel
 - Shell:Stainless steel
Finish:Gold-plated ,over Nickel.

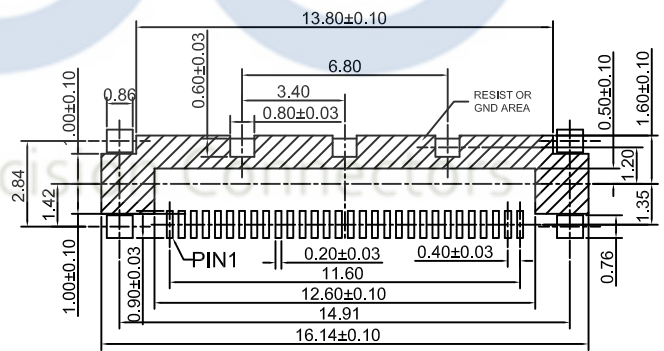
KB405-30 R S R 4 A

Pin No. Version
 Mold No.

R:Right Angle
V:Vertical

S:SMT
D:DIP

包裝方式:
T:TUBE (管裝)
R:REEL (卷裝)
P: PE (袋裝)



RECOMMENDED P.C.B LAYOUT
TOLERANCE UNSPECIFIED ±0.05mm

XYCO 东莞市轩业电子科技有限公司
TEL: 0769-8297 9981/2/3 <http://www.XYCO.com.cn>

				TOLERANCE 公差		DRAWING 設計者 Devin		KB405-30RSR4A					
2014-05-15	A	CHANGE HISTORY 變更歷史	KB405-30RSR4A	Devin	.X=±0.30	CHECKED 審查	Thomas	PART NO. 料號		UNIT 單位	mm		
DATE 日期	VER 版本				.XX=±0.20	APPROVED 核准	William	DWG NO. 圖號	PE2108010A	PRODUCT NAME 產品名稱		USLS PH0.40mm 30PIN Wire To Board Connector SMT Right Angle Wafer	
					.XXX=±0.10								