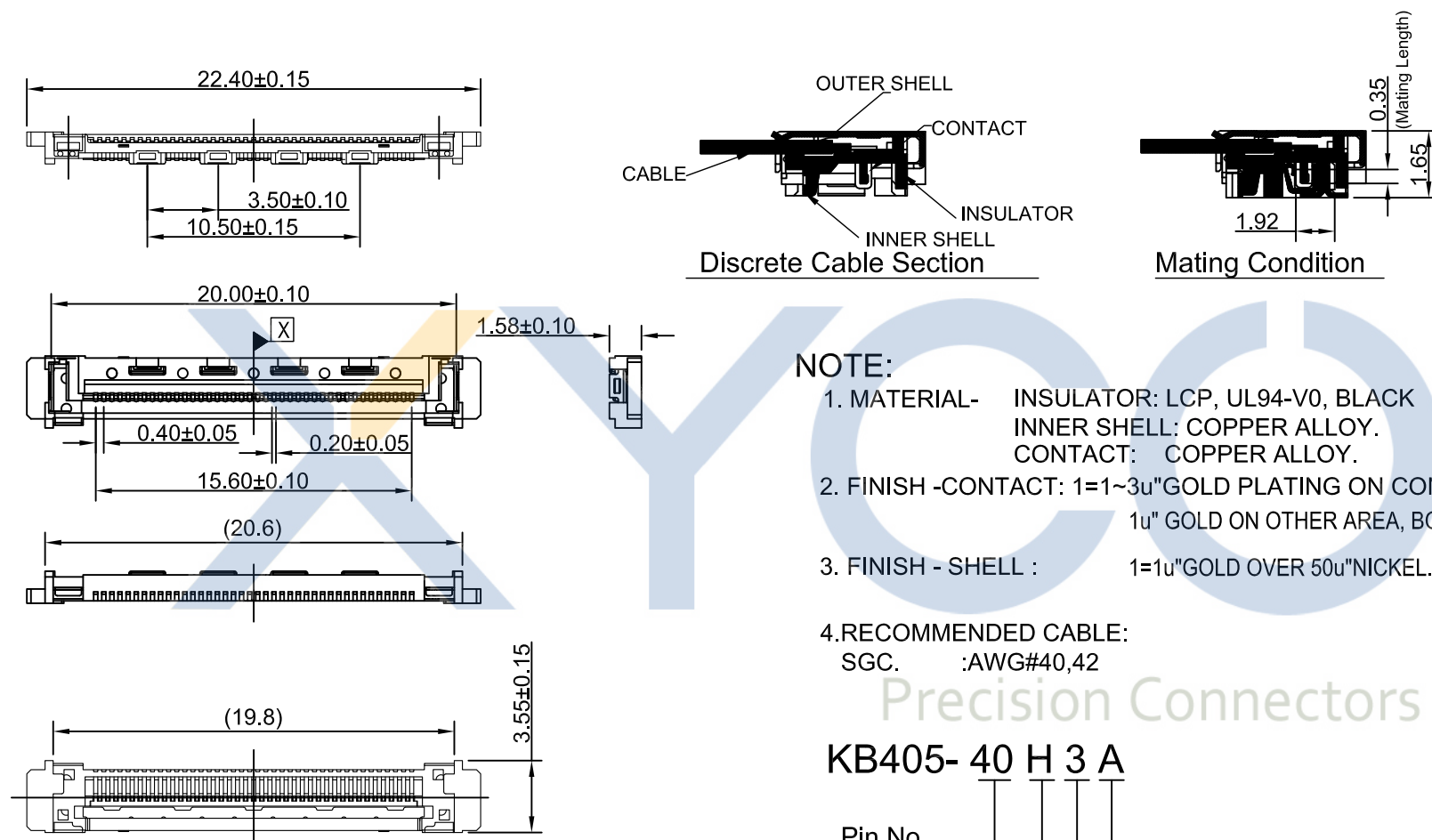


# DRAWING FOR CUSTOMER



## NOTE:

1. MATERIAL- INSULATOR: LCP, UL94-V0, BLACK  
INNER SHELL: COPPER ALLOY.  
CONTACT: COPPER ALLOY.
2. FINISH -CONTACT: 1=1~3u" GOLD PLATING ON CONTACT AREA,  
1u" GOLD ON OTHER AREA, BOTH OVER NICKEL.
3. FINISH - SHELL : 1=1u" GOLD OVER 50u" NICKEL.
4. RECOMMENDED CABLE:  
SGC. :AWG#40,42

**KB405- 40 H 3 A**

Pin No.

Version

Housing

Mold No.

# XYCO PRECISION CONNECTORS

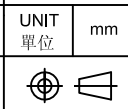
TEL: 0769-8297 9981/2/3 <http://www.XYCO.com.cn>

DATE 日期	VER 版本	CHANGE HISTORY 變更歷史	CHANGED NAME 修改後料號	DRAWING 變更者
2014-02-21	A		KB405-40H3A	Devin

TOLERANCE 公差
.X=±0.30
.XX=±0.20
.XXX=±0.10

DRAWING 設計者	Devin
CHECKED 審查	Thomas
APPROVED 核准	William

PART NO. 料號	
DWG NO. 圖號	PE1808009A



UNIT 單位	mm
PRODUCT NAME 產品名稱	

KEL PH 0.40mm LVDS Connector Housing	
---	--